

<b>Equipment</b>	<b>Positive Displacement meter</b>		
<b>Model</b>	<b>ZC17-80 with mechanical register</b>		
<b>Performance characteristics</b>			
Measured liquids	Liquid hydrocarbons, industrial oil, fatty acid esters, ethanol		
Static pressure	max	15 bar	
Inlet pressure	max	10 bar	
Liquid temperature	min / max	- 10°C / +90°C	14°F / +194°F
Working flow rate	min / max	8 m3/h - 133 L/min - 36 USGPM / 80 m3/h - 1333 L/min - 360 USGPM	
Liquid viscosity	max	20 mm <sup>2</sup> /s (MID) - 800 mm <sup>2</sup> /s - at operating conditions	
Accuracy	+/- 0.15% of measured value		
Repeatability	+/- 0.02% of measured value		
Pressure drop	See attached pressure drop chart		
Calibration report	On 3 points (8 m3/h, 40 m3/h, 80 m3/h)		
<b>Manifold</b>			
Connection nominal size	DN 80 / 3"		
Material	Ductile iron (EN 5.3201), Aluminum ( EN AC-42200) (option)		
End connection style	Flanges ASA 150 RF, ISO PN16, TW1 (only with aluminum manifold)		
Flow direction/Mounting	PH2, PH1, PV1, PV2, PV3, PV4, PV5*, PV6* Non-standard: PH3*, PH4*, PH5*, PH6*, PV7*, PV8*, PV9*, PV10*, PV11*, PV12*, PV13*, PV14* * : only with TW flanges and aluminum manifold See attached document		
Coating	Acrylic-Epoxy coating RAL5010, Marine Epoxy coating RAL5010 (option)		
<b>Flowmeter body</b>			
Body material	Ductile iron (EN 5.3201), Ni resist iron (EN-JL3011) (option)		
Cap/end cover material	Carbon steel with protective coating		
Seal/O-ring material	Viton, Nitrile (option for alcohols measurement)		
External coating	Acrylic-Epoxy coating RAL5010, Marine Epoxy coating RAL5010 (option)		
<b>Measuring chamber</b>			
Displacement element type	Sliding vanes flowmeter		
Cyclic volume	2,27 L - 0,6 USG		
Blades / Blades connection rods	Graphite / Stainless steel		
Rotor	Aluminum (EN AC-42100)		
Bearings	Stainless steel (EN 1.4301)		
Swing joint	Viton, Nitrile (option for alcohols), PTFE (option for low ambient temperature)		
<b>Drive train and adjuster</b>			
Drive type	Mechanical transmission		
Accuracy adjuster type	AB21		
Pulses transmitter	NA		
Temperature compensation type	NA		
<b>Register</b>			
Register type	Mechanical register		
Model	VR7887, 5 digits – direct metering, differential metering (option), 6 digits (option)		
Accessories	Preset with valve, printer, pulses transmitter		
<b>Environmental</b>			
Ambient working temperature	min / max	-25°C, -40°C (option) / +55°C	-13°F, -40°F (option) / +131°F
Storage temperature	min / max	-40°C / +80°C	-40°F / +176°F
<b>Certification</b>			
ATEX	Zone 1 II 2 G		
European metrology	CE /MID evaluation certificate n°LNE-11052		
International metrology	OIMLR117-1, type compliance certificate n°LNE-24351		
Standards compliance	API, ASME, GOST, NATO. See note 1		

Note 1: Contact us for further information about standards compliance.

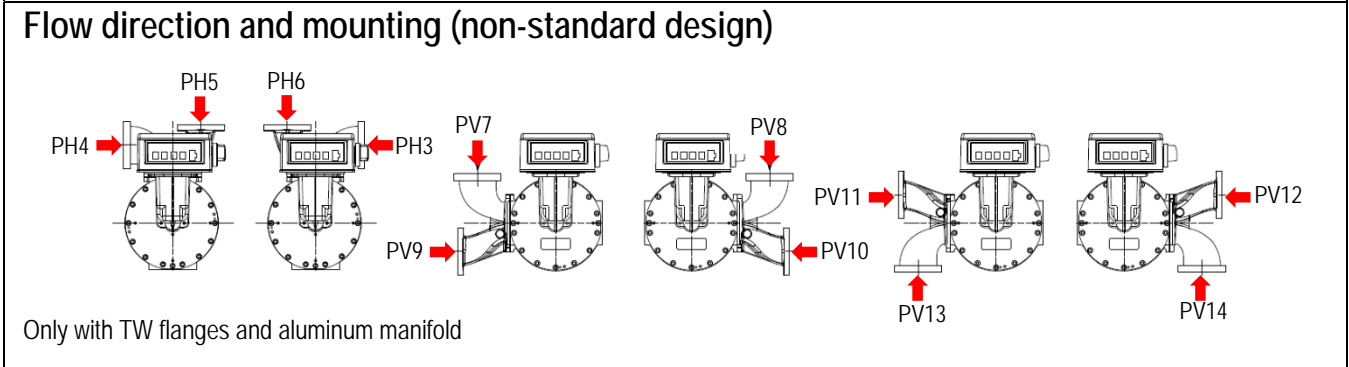
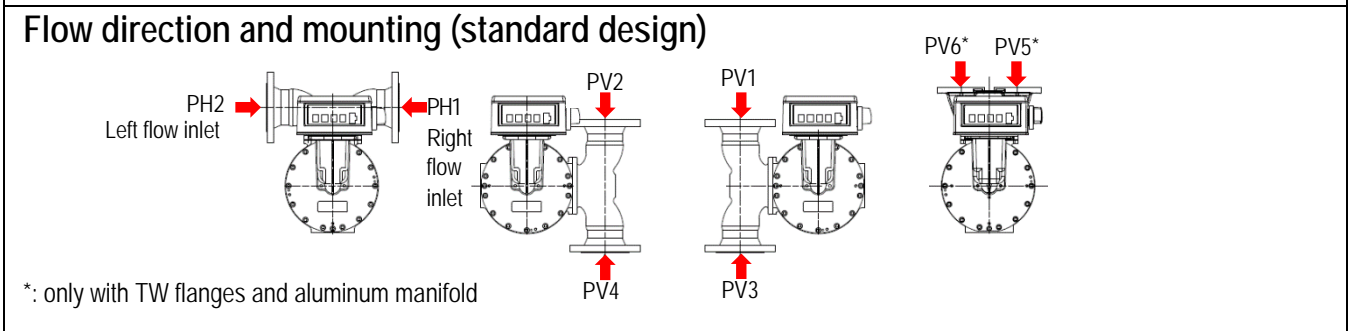
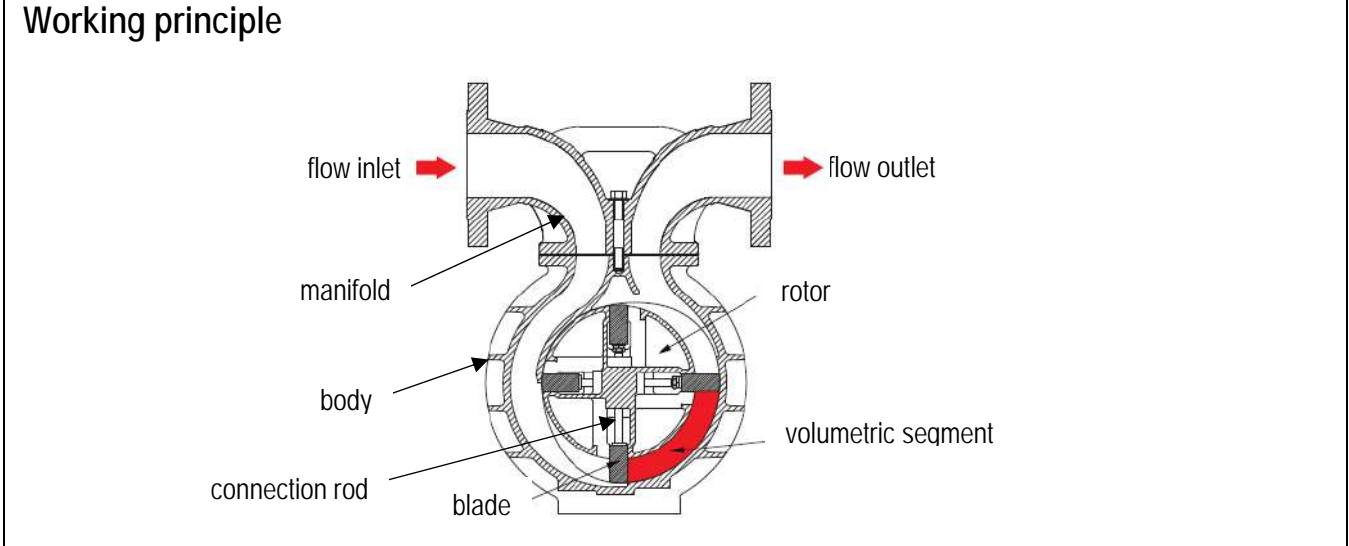
**SATAM sas****Headquarters & Sales Department**

Paris Nord 2 – Bâtiment Le Gauvain  
47, allée des Impressionnistes – BP85012 – Villepinte  
95931 Roissy CDG Cedex – France  
Tel : +33 (0)1 48 63 02 11 – Fax: +33 (0)1 49 38 41 01  
Email : sales@satam.eu

**Manufacturing facility**

Avenue de Verdun  
14700 Falaise – France  
Tel : +33 (0)2 31 41 41 41  
Fax : +33 (0)2 31 40 75 61

<b>Equipment</b>	<b>Positive Displacement meter</b>
<b>Model</b>	<b>ZC17-80 with mechanical register</b>



**Dimensions and weight**

Dimensions (mm)	ZC17-80
A (with 3" ASA150RF & iron manifold)	356
A (with 3" ASA150RF & alum. manifold)	320
B	605
C	365
D	407
F	87
H	410
<b>Weight (kg)</b>	<b>75 kg</b>

**SATAM sas**

**Headquarters & Sales Department**

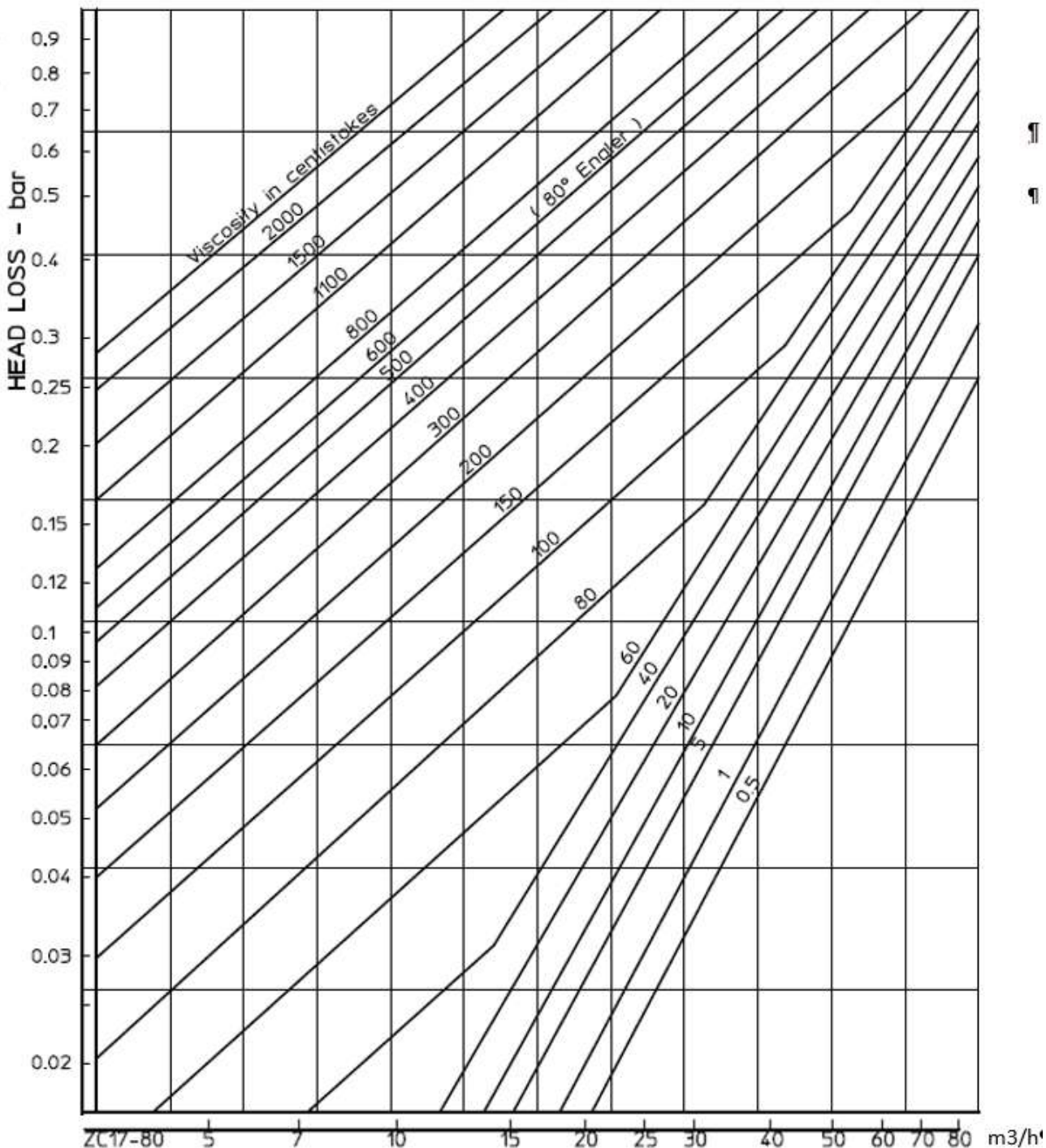
Paris Nord 2 – Bâtiment Le Gauguin  
 47, allée des Impressionnistes – BP85012 – Villepinte  
 95931 Roissy CDG Cedex – France  
 Tel : +33 (0)1 48 63 02 11 – Fax: +33 (0)1 49 38 41 01  
 Email : sales@satam.eu

**Manufacturing facility**

Avenue de Verdun  
 14700 Falaise – France  
 Tel : +33 (0)2 31 41 41 41  
 Fax : +33 (0)2 31 40 75 61

<b>Equipment</b>	<b>Positive Displacement meter</b>
<b>Model</b>	<b>ZC17-80 with mechanical register</b>

Pressure drop chart



**SATAM sas**

**Headquarters & Sales Department**

Paris Nord 2 – Bâtiment Le Gauguin  
 47, allée des Impressionnistes – BP85012 – Villepinte  
 95931 Roissy CDG Cedex – France  
 Tel : +33 (0)1 48 63 02 11 – Fax: +33 (0)1 49 38 41 01  
 Email : sales@satam.eu

**Manufacturing facility**

Avenue de Verdun  
 14700 Falaise – France  
 Tel : +33 (0)2 31 41 41 41  
 Fax : +33 (0)2 31 40 75 61